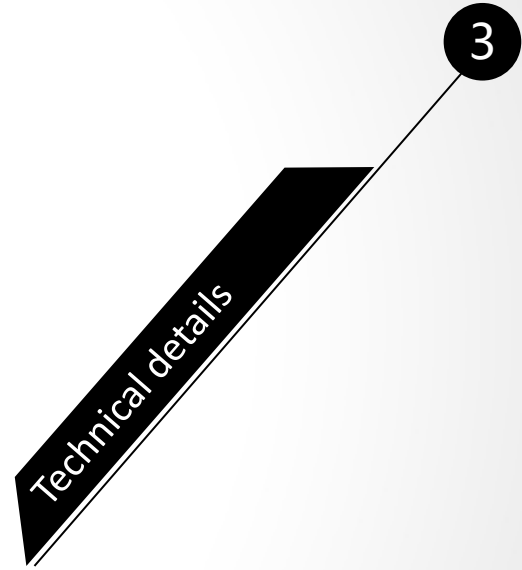
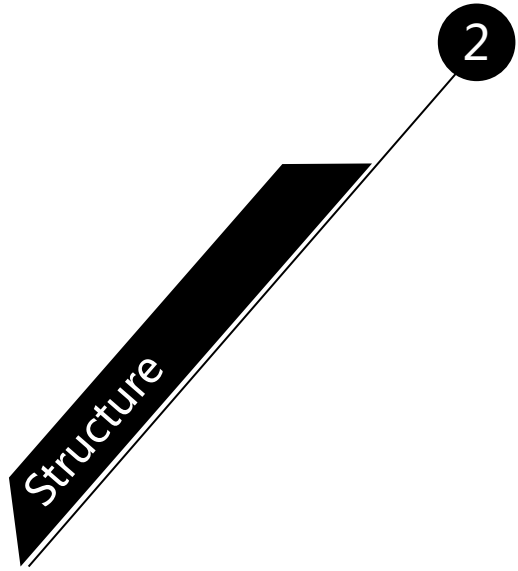


WATER MELODY

Beyond Sparkles | From Objects to Space: Light

Chen | Guanling | Hsinyu

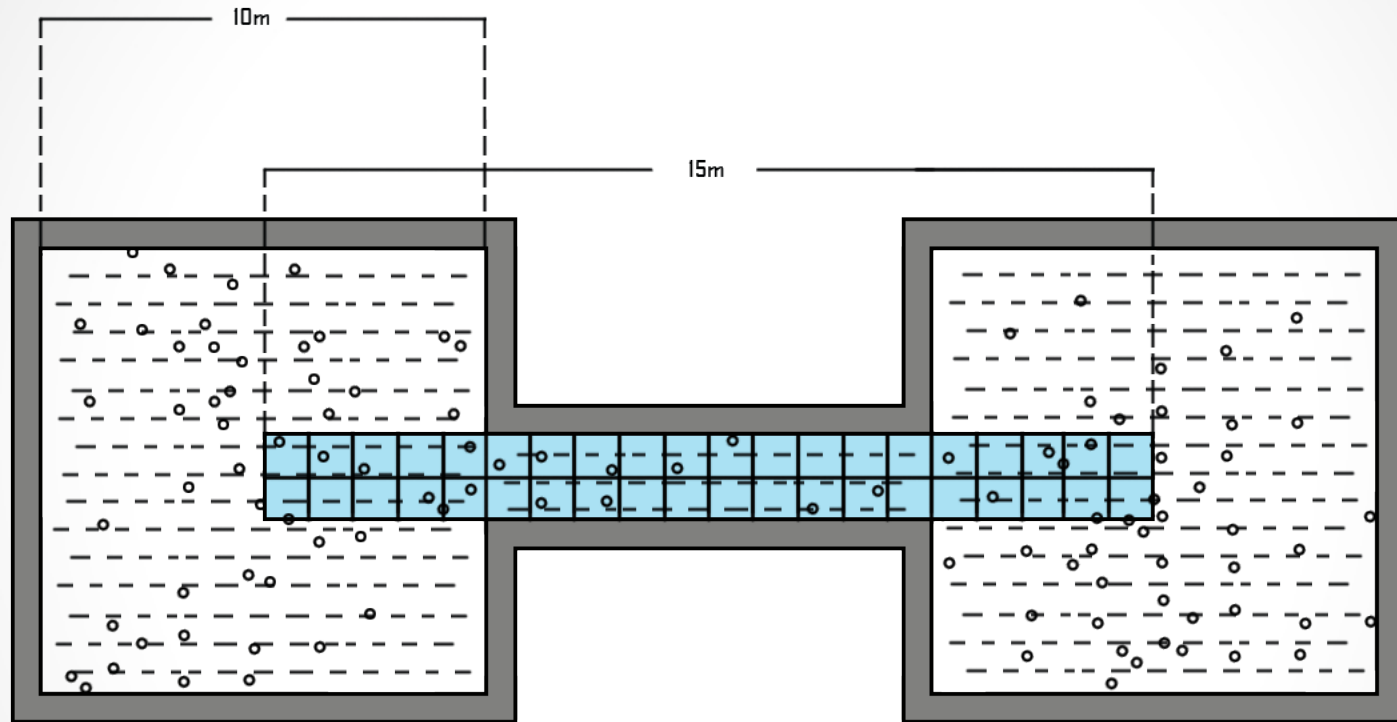




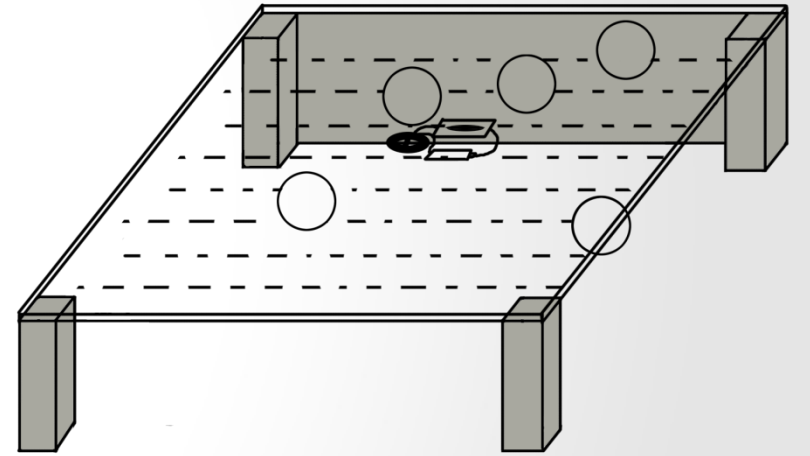
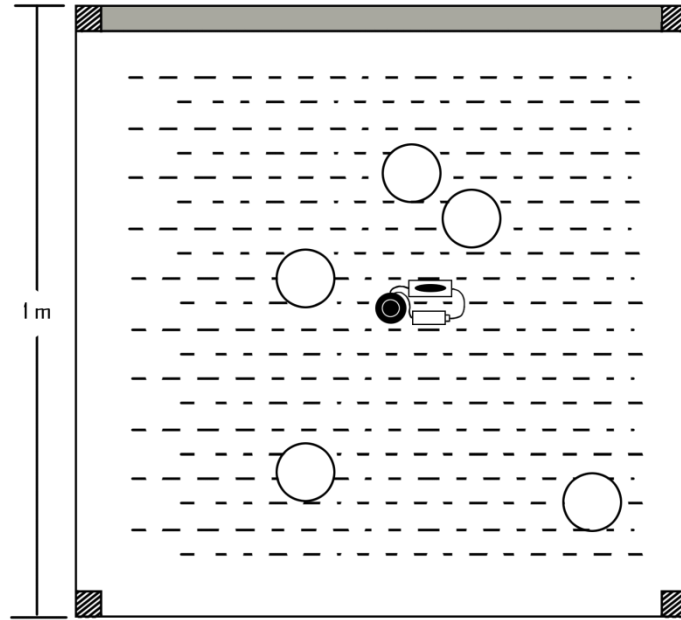
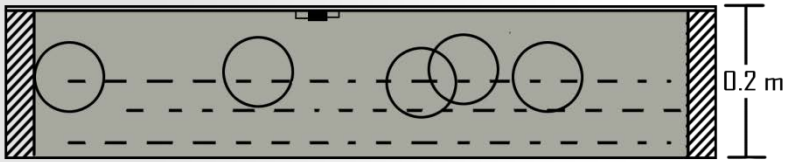
inspiration



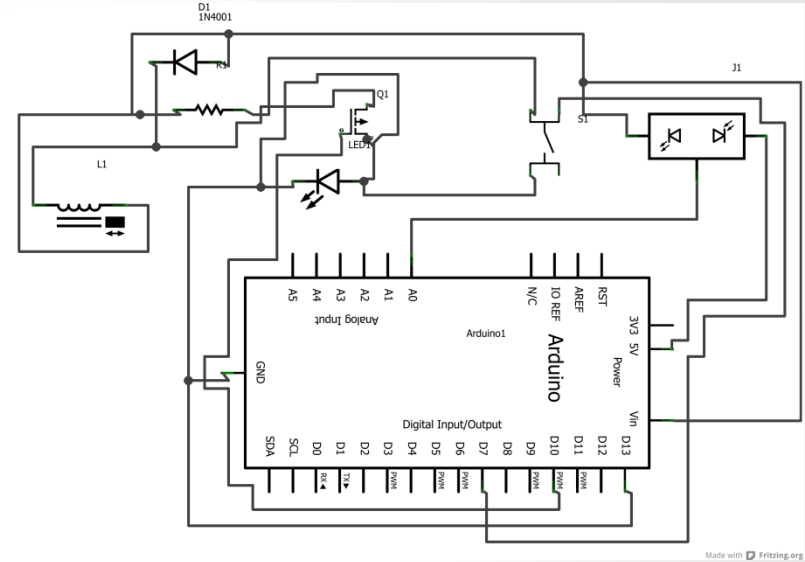
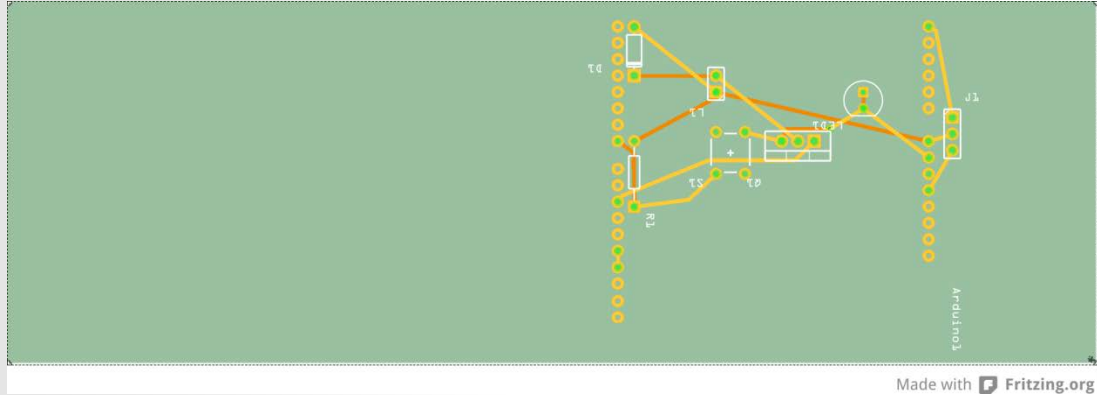
perspective



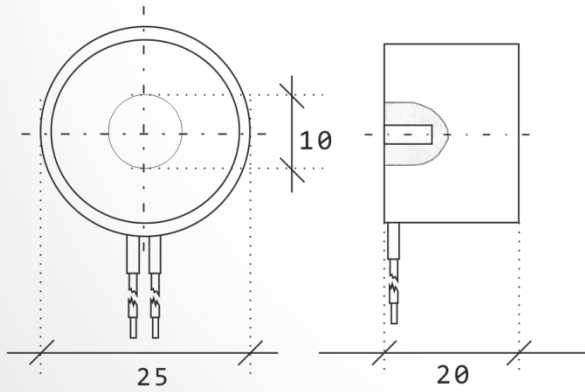
Size



Glass panel



12V DC 11 LB / 5kg Electric Lifting Magnet Electromagnet Solenoid Lift Holding



Model: ZYE1-P25/20

Thread Size: M4

Diameter: Approx. 25 mm

Height: Approx. 20 mm

Center Diameter: Approx. 10 mm

Input Voltage: 12V DC

Current: 0.33A

Power Consumption: 4W

Holding Force: 50N / 11lbs

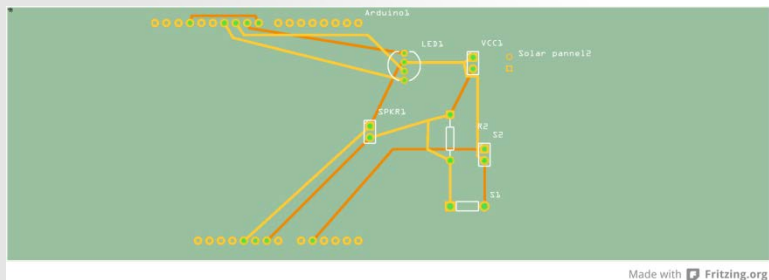
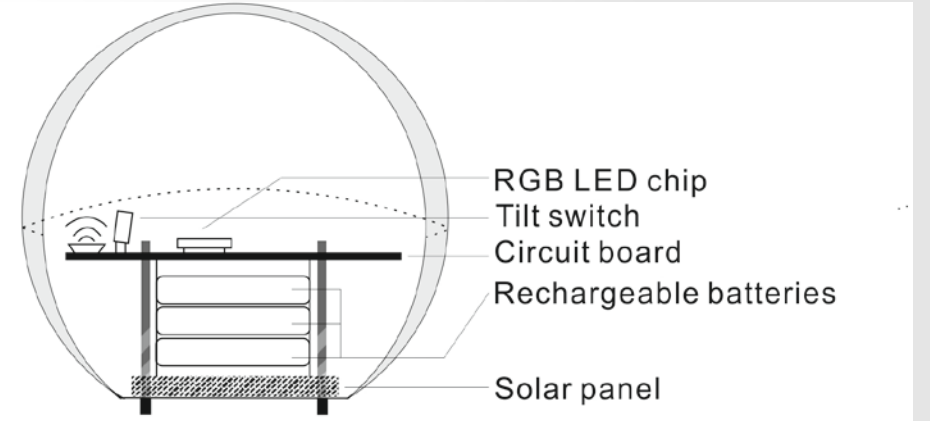
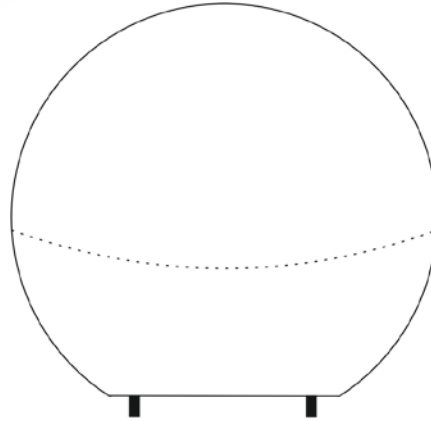
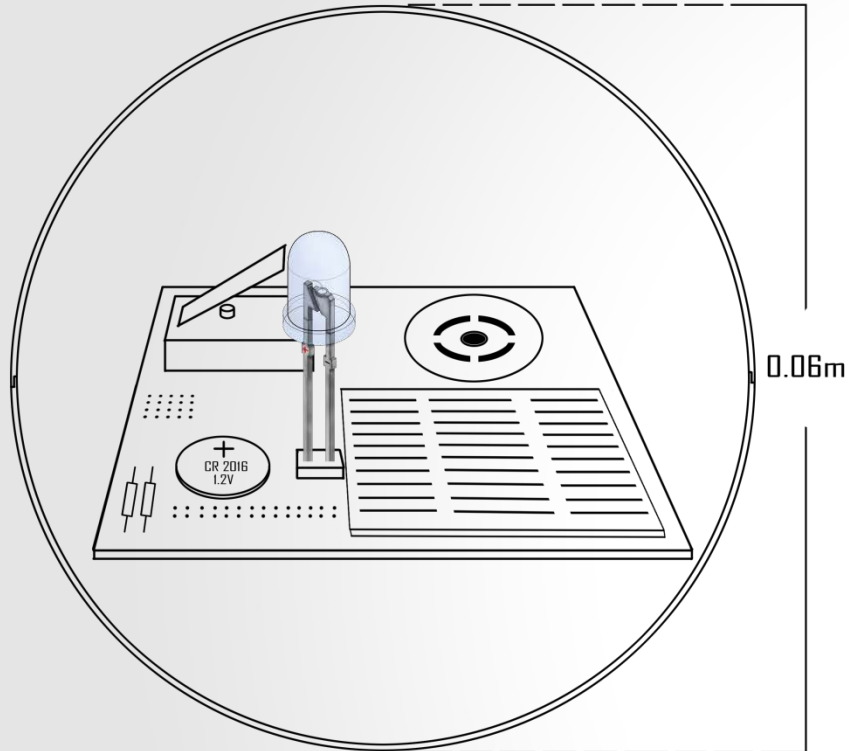
Thread Size: M34

Material: Metal

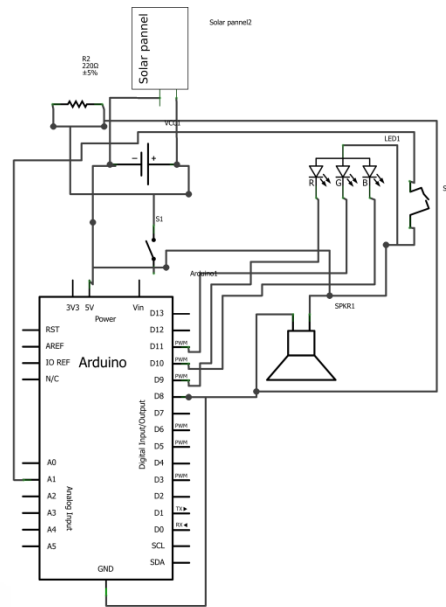
Color: Silvery

Weight: 50g

Details of glass panel



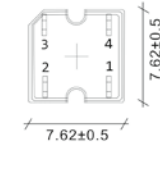
Made with Fritzing.org



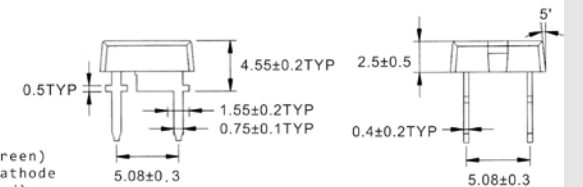
Made with Fritzing.org



Super-Flux RGB LED (3-Chip Technic)



- 1 Anode (Green)
- 2 Common Cathode
- 3 Anode (Red)
- 4 Anode (Blue)



Diameter: 7,6x7,6mm

Viewing Angle: 130

Height: 4.55mm

Width: 7.62mm

Depth: 7.62mm

Emitting Color: red / green / blue

Housing Color: clear

Nanometer: R=626 / G=532 / B=475

mA test.: 20 mA

mA typ.: 30 mA

V typ.: R=2,0 / G=4,0 / B=4,0V V

RGB full color superflux LED with common cathode. This LED works with many RGB application.

- MCD: R=900 / G=2100 / B=700mcd
- nm: R=626 / G=532 / B=475nm
- V typ.: R=2,0 / G=4,0 / B=4,0V

Main advantages are

- small housing
- wide viewing angle
- long lifetime
- indiv. useability

Details of lighting ball

Thank You !