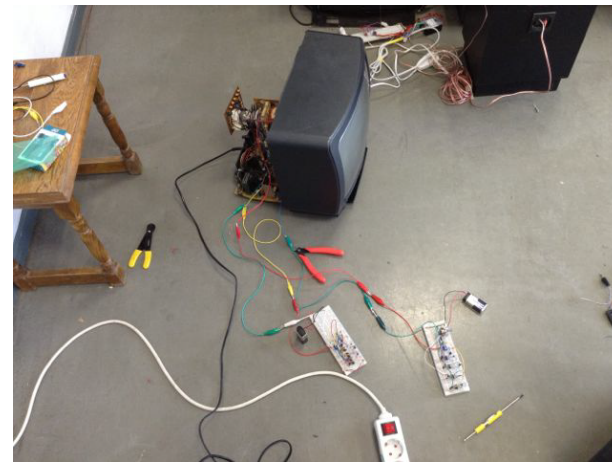
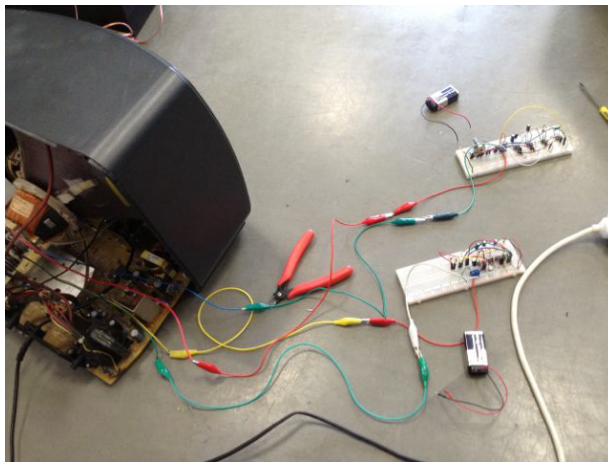


MACHINES OF -PERCEPTION-

[201]

A performance for live electronics

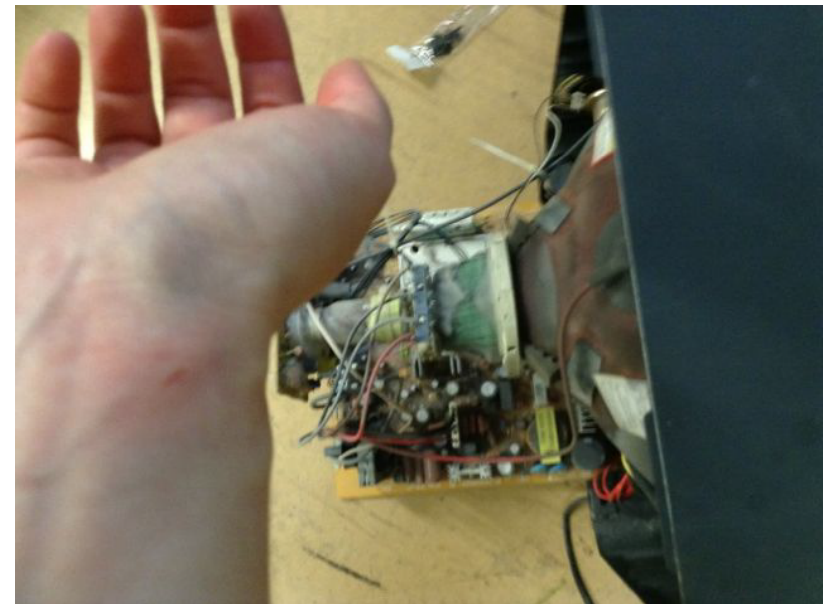
--//-- First test



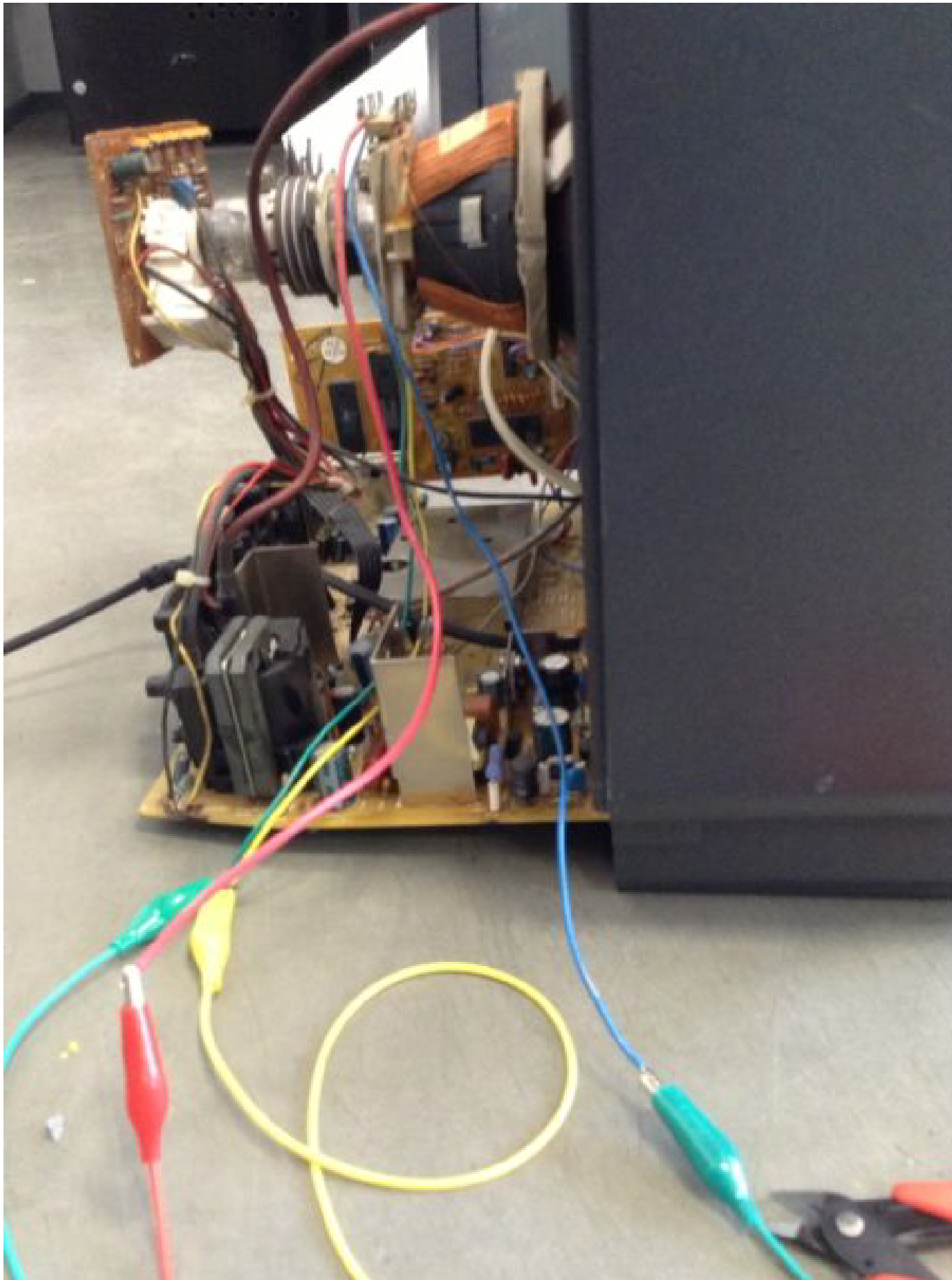
Trying out 555 timer with tv -_-_-_-



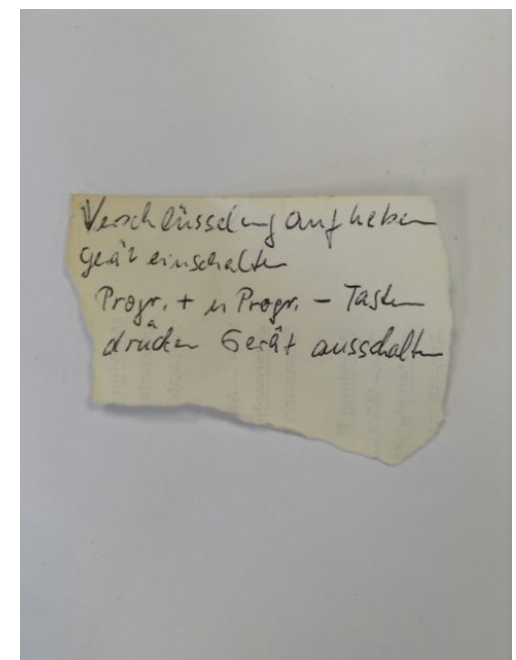
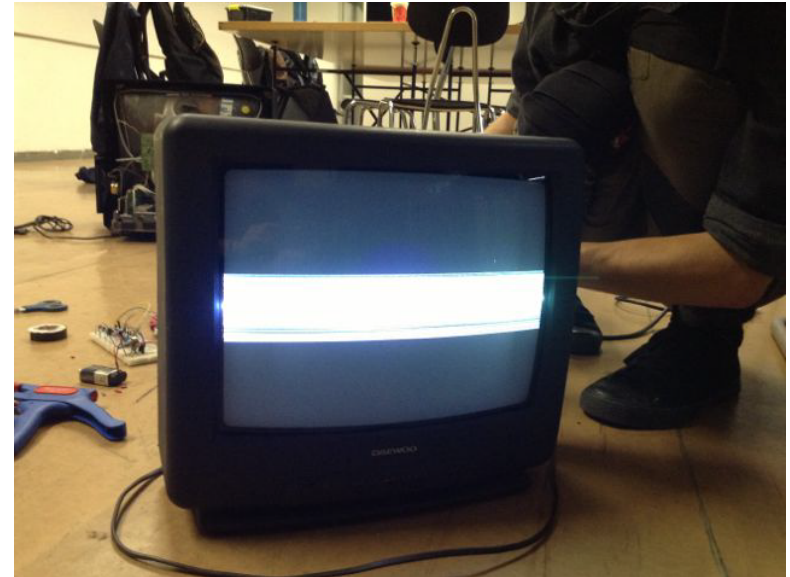
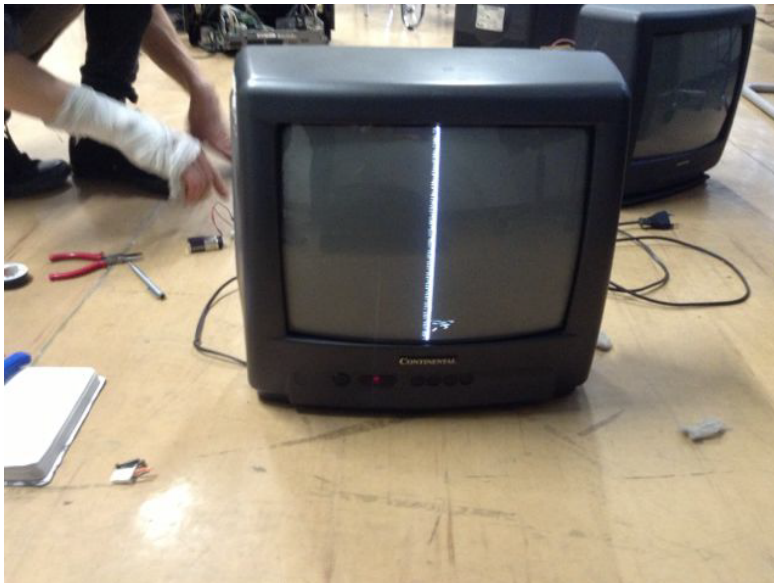
v-|---| Asembling TVs



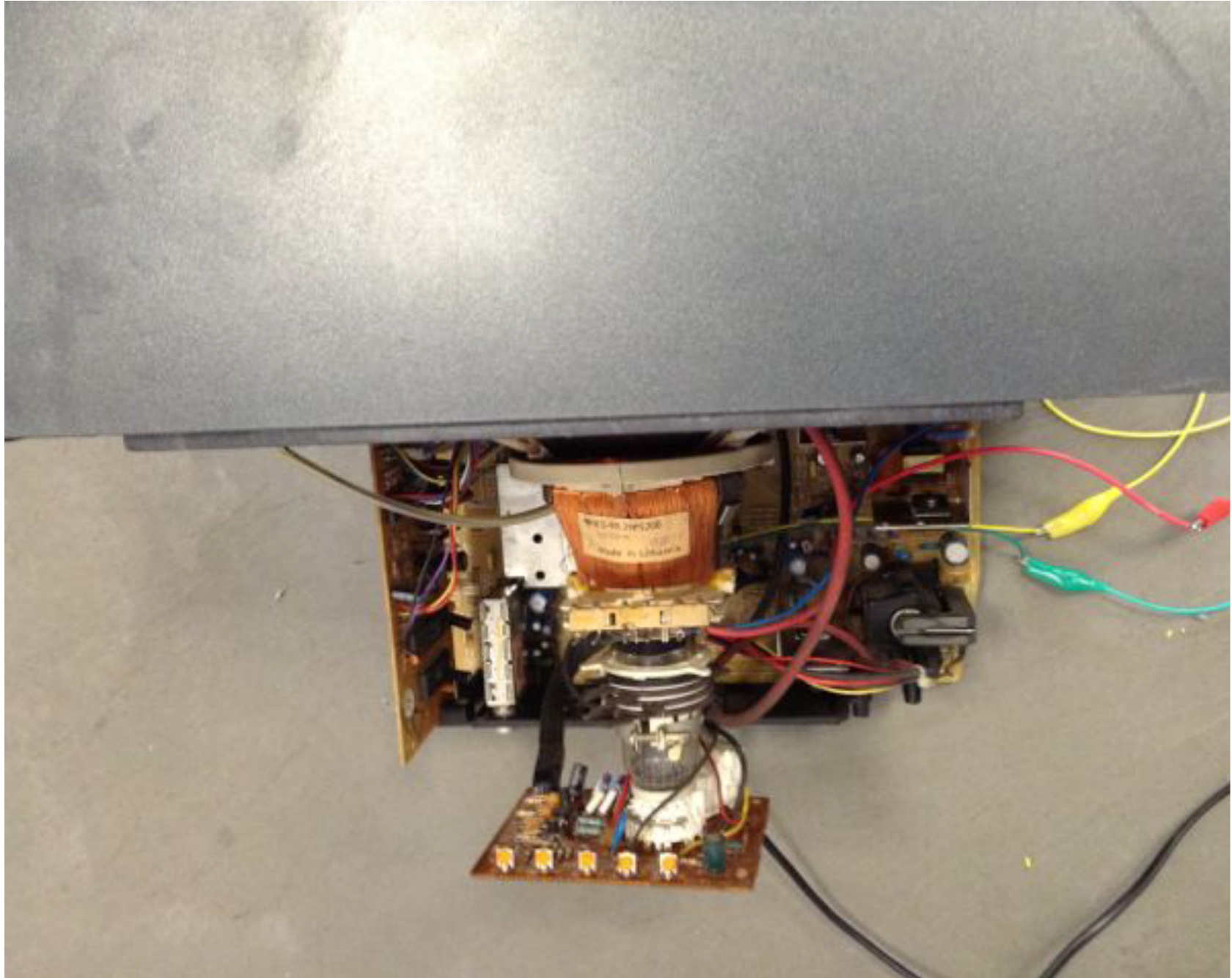
Figuring out which tvs work -----
----- From 8. just 6-4-----3 work



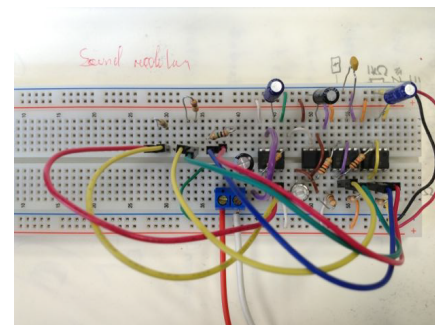
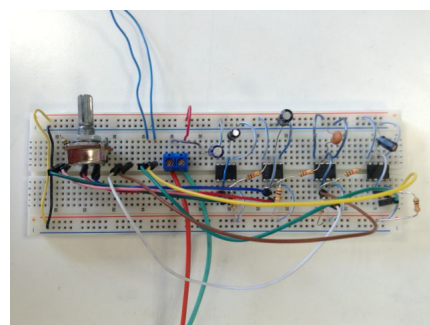
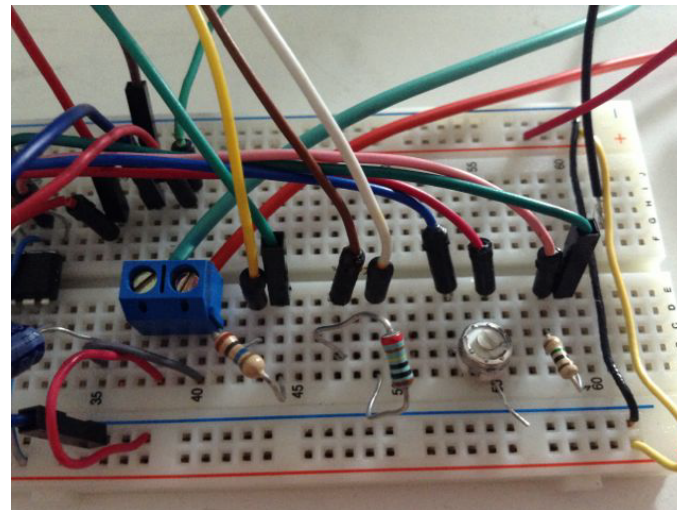
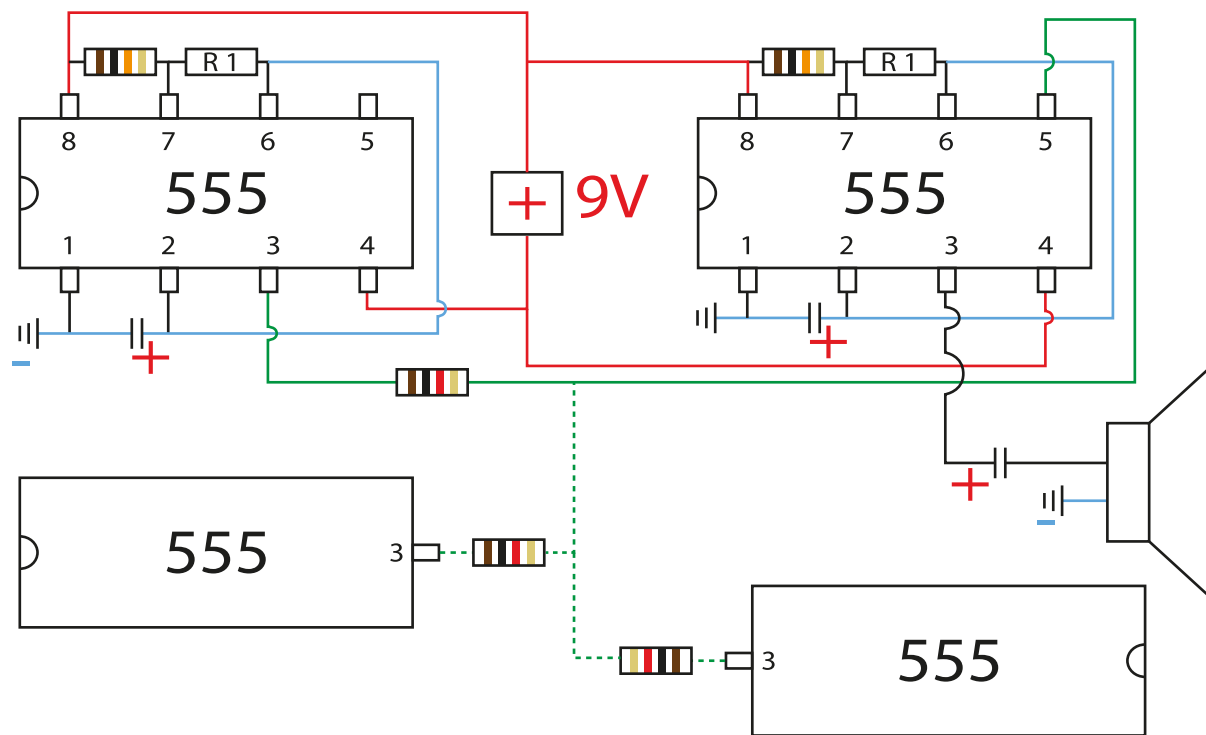
-|-|-| Arranging vertical, horizontal and vertical/horizontal lines



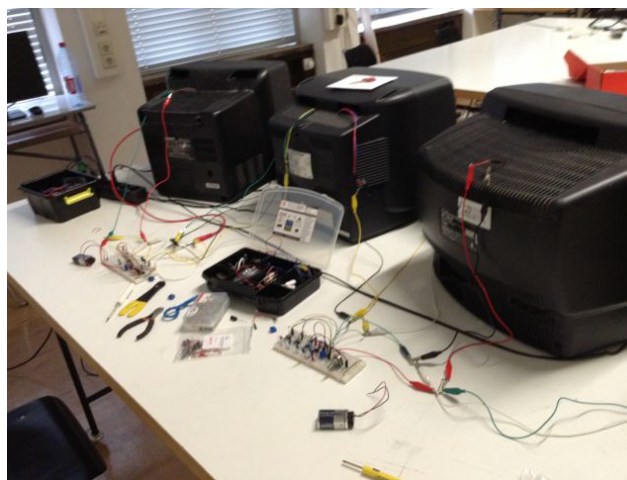
-_-_- Finding nice notes inside TVs -_-_-



555 Timer Circuit x 4 in 2 boards



---| First set up test and Rehearsal Session



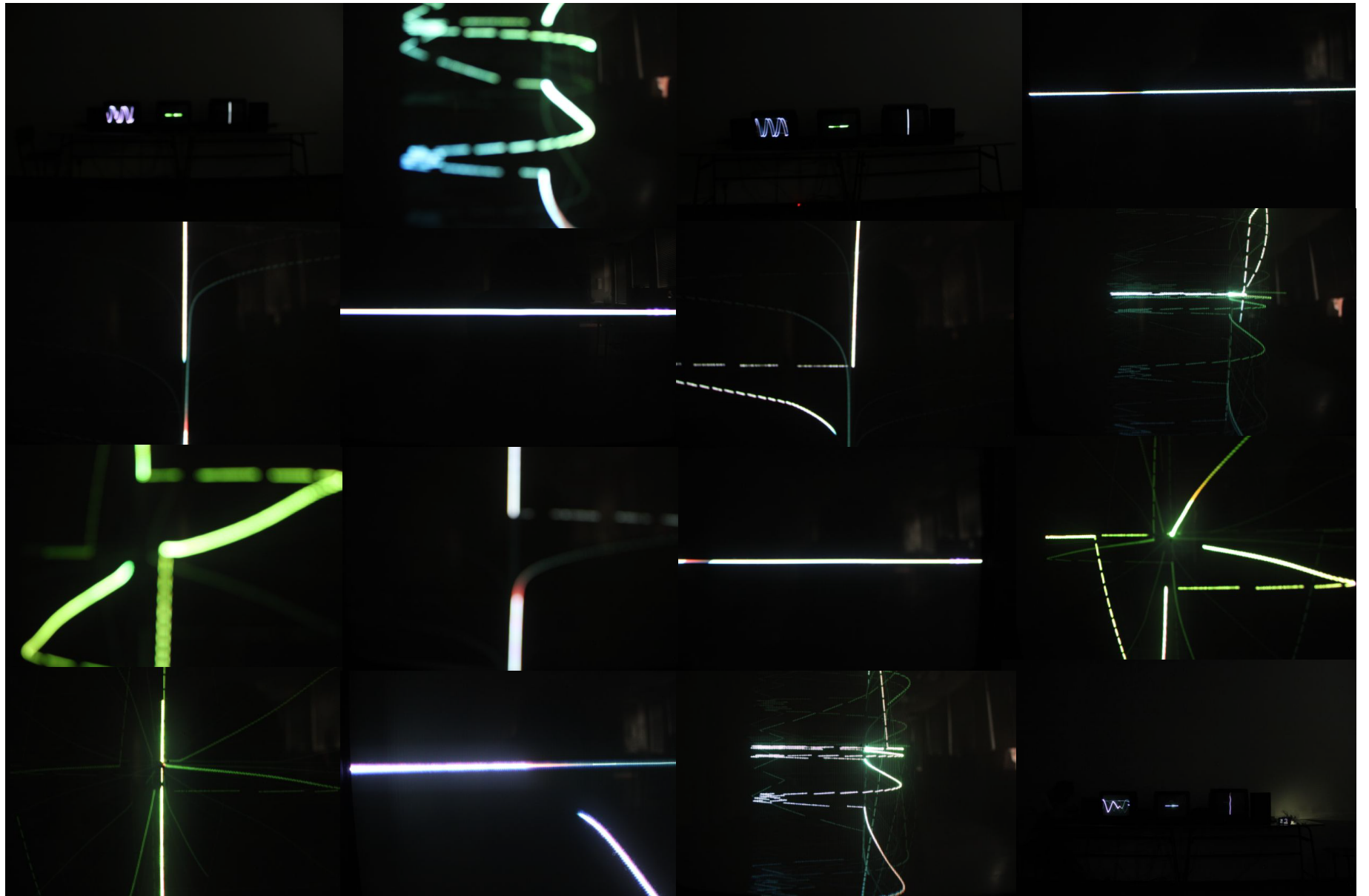


--- [201] Installation --||-- *





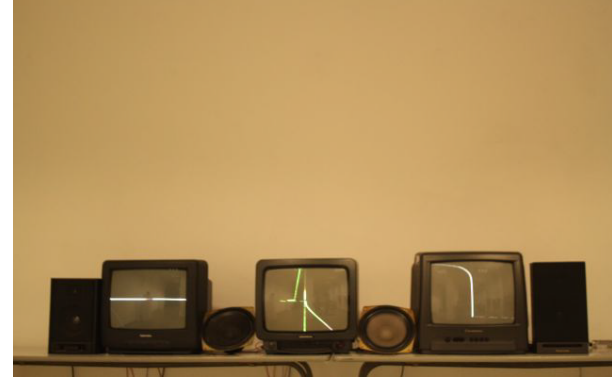
-|---| Tv Shapes --||--



-|---| [201] Installation --||--



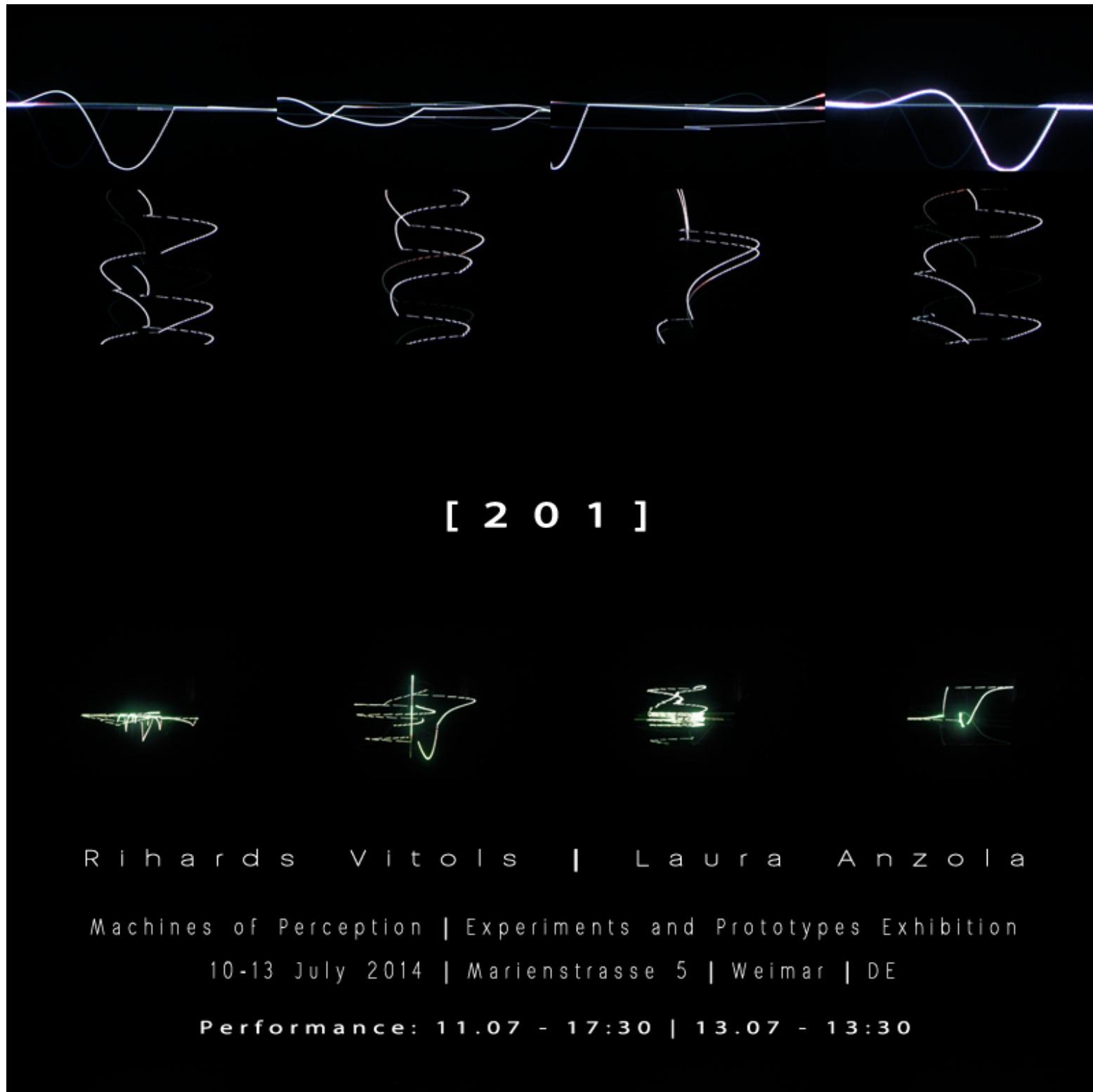
Setting



\\---// Visitors --- |--|



\\---// Flyer for performance and installation exhibition



\\---// Performance --- Rehearsal



Trying conductive gloves -_-_-_-_- Not so much recommended -_-_-_-_-



Taking notes ----- making a 'score'



\\---// ' Scores

DARSHAS
class

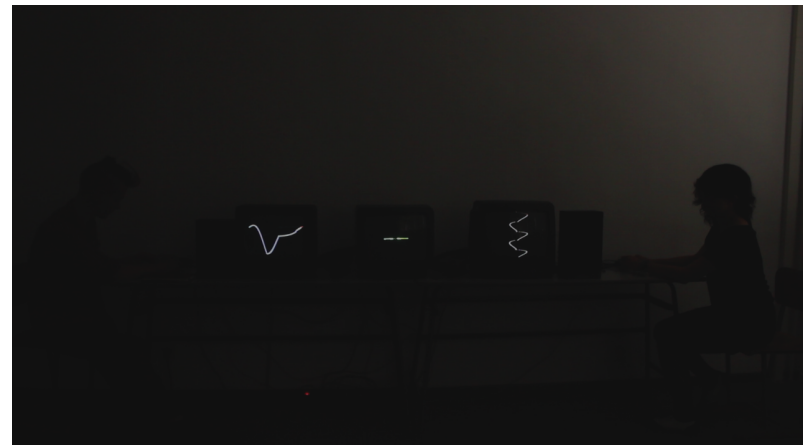
SSS PERFORMANCE

CAP	REZ	CAP	REZ
4.7/100/1/47	Ye/Gr/Gr	4.7/100/10	Ye/Gr/Gr
4.7/100/1/47	Ye/Ye/Ye	100/4.7/100	100/4.7/100
100/4.7/1/47	Gr/Gr/Gr	10/1/47/1	Gr/Gr/Gr
1/100/100/1	Gr/Gr/Gr	100/1/47/100	Gr/Gr/Gr
100/100/4.7/0.01	Gr/Gr/Gr	100/100/4.7/0.01	Gr/Gr/Gr
100/100/4.7/100	Gr/Gr/Gr	100/100/4.7/100	Gr/Gr/Gr
1/1/47/0.01	Gr/Gr/Gr	1/1/47/0.01	Gr/Gr/Gr

\\---// Performance --- Setting Up

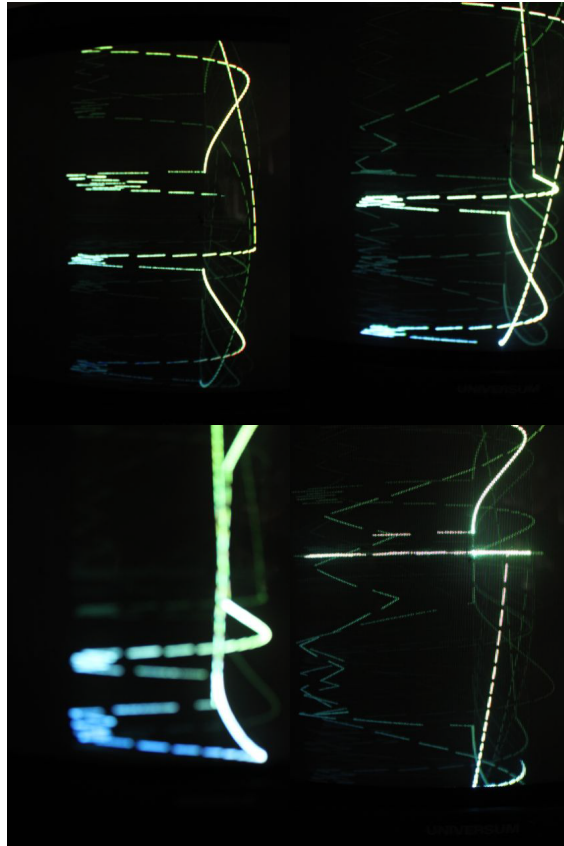


\\---// Performance --- ||||



\\---// Visitors playing with [201] --- |--|





Thanks to Darsha Hewitt
Martin Schneider
Martin Schied
TV Master Wolfgang
Family and Others

Pictures from Alice and Laura

2014